



RHINO-RACK®

Batwing and Sunseeker Awning Extension 2.5M

31131

Important:

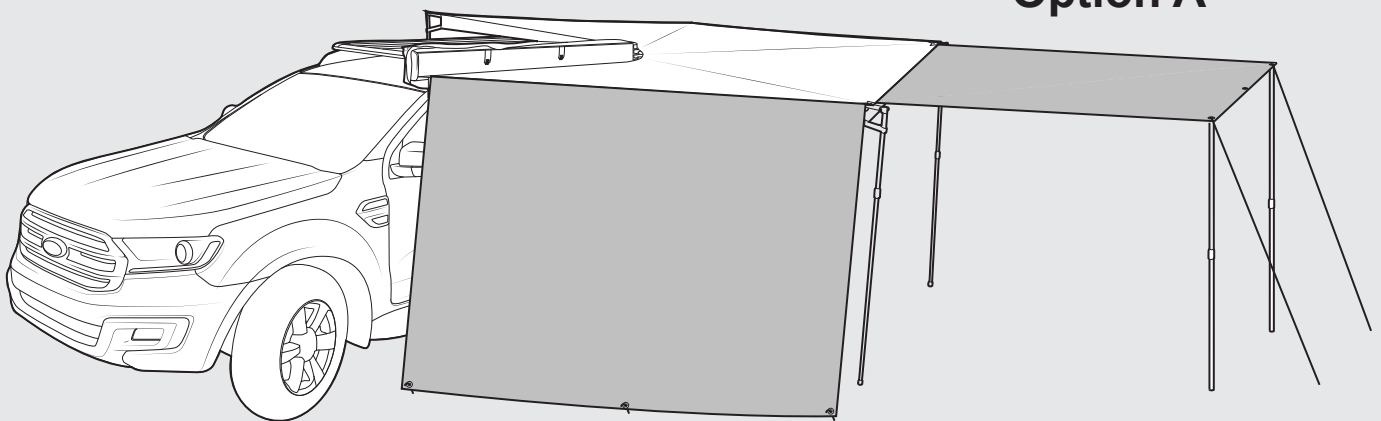
1. Check the Rhino-Rack website to ensure you have the latest issue of these instructions.
2. Please refer to your fitting instruction to ensure that the roof racks are installed in the correct locations.
3. Check the contents of kit before commencing fitment and report any discrepancies.
4. Place these instructions in the vehicle's glove box after installation is complete.
5. These instructions must be followed for warranty to be upheld.

Fit Time: 3-5 mins

TWO-PERSON
INSTALLATION



**Shade
Option A**



**Wind Break
Option B**

Thank you for choosing Rhino-Rack!



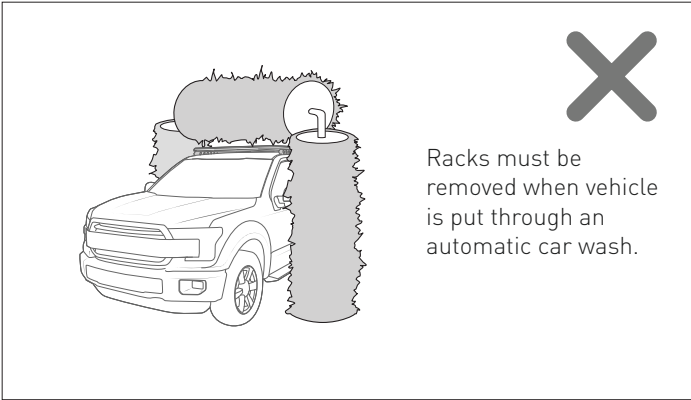
WELCOME TO THE HERD.

For peace of mind register your product by heading to rhinorack.com/register

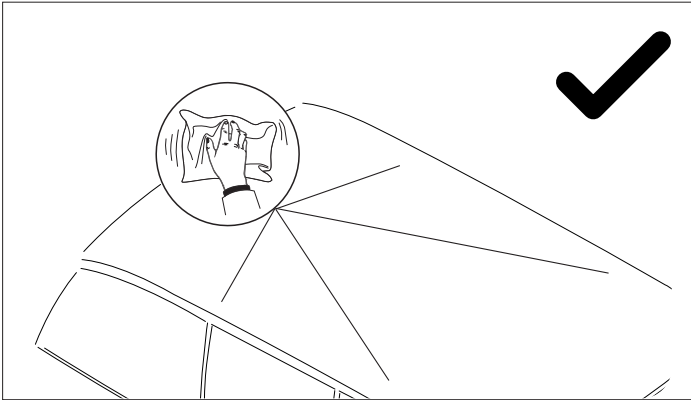
Rhino-Rack AUSTRALIA
22A Hanson Place,
Eastern Creek, NSW 2766

Rhino-Rack USA
19822 E. 22nd Avenue,
Unit B, Aurora, CO 80011

RHINORACK.COM
Document No: 520-RFI-00250
Issue No: 01
Issue Date: 03/06/2025

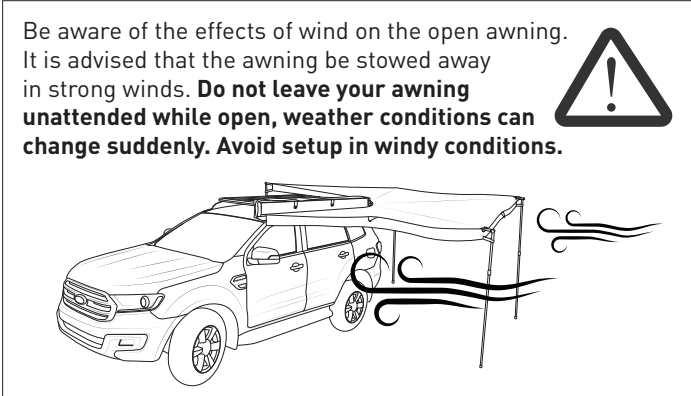
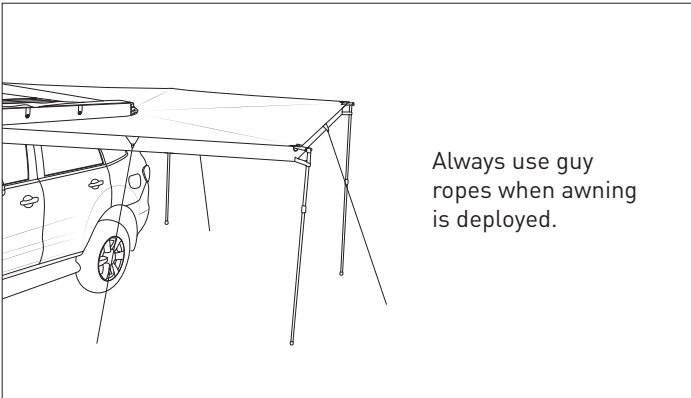


Racks must be removed when vehicle is put through an automatic car wash.



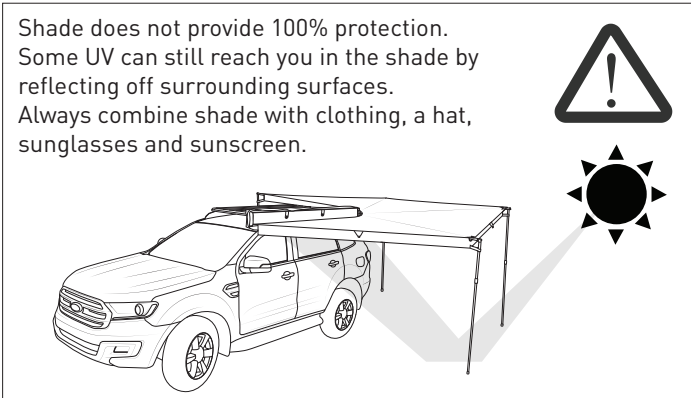
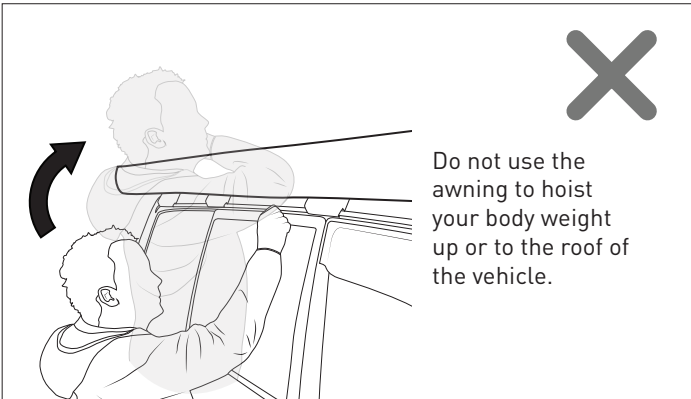

If awning is wet, dry before you stow.

Be aware of the effects of wind on the open awning. It is advised that the awning be stowed away in strong winds. **Do not leave your awning unattended while open, weather conditions can change suddenly. Avoid setup in windy conditions.**

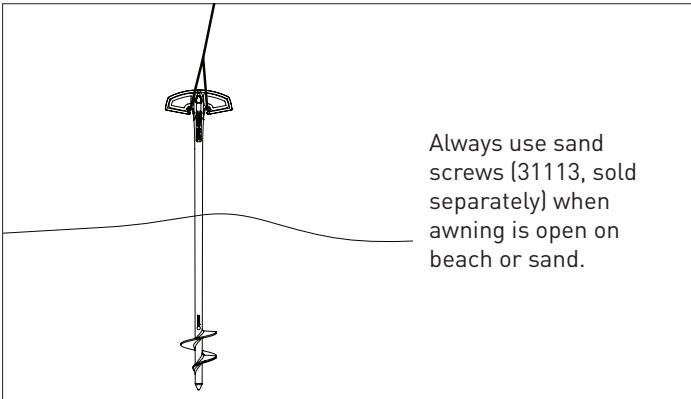



Always use guy ropes when awning is deployed.

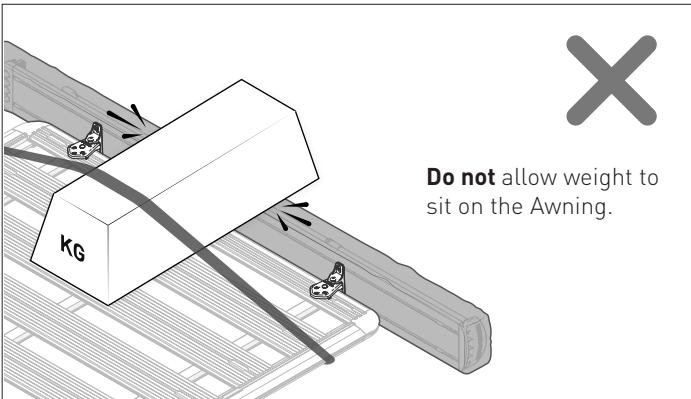
Shade does not provide 100% protection. Some UV can still reach you in the shade by reflecting off surrounding surfaces. Always combine shade with clothing, a hat, sunglasses and sunscreen.

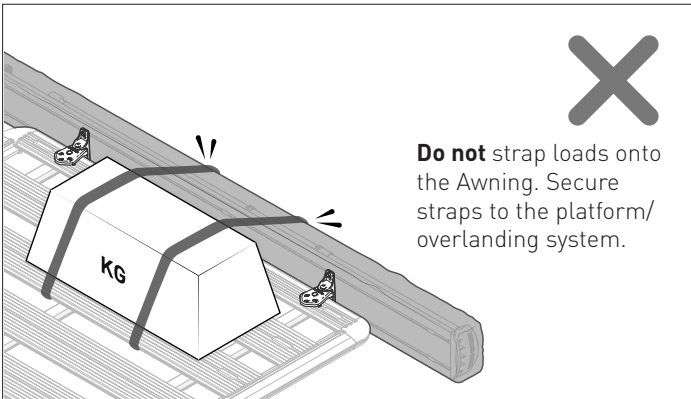
Do not use the awning to hoist your body weight up or to the roof of the vehicle.



Always use sand screws (31113, sold separately) when awning is open on beach or sand.

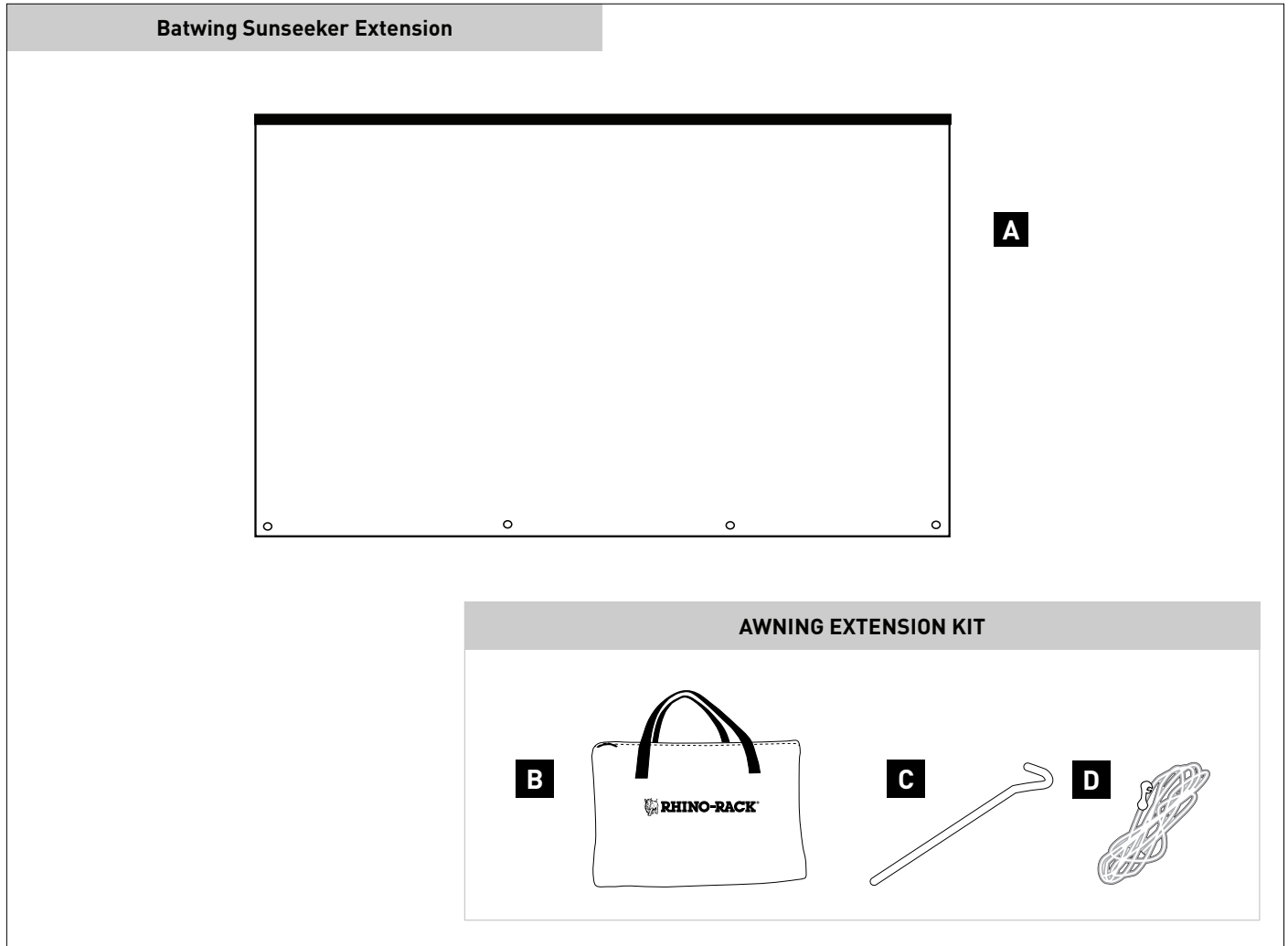


Do not allow weight to sit on the Awning.



Do not strap loads onto the Awning. Secure straps to the platform/overlanding system.

Parts List



Item	AWNING EXTENSION KIT	Qty
A	Batwing Sunseeker Extension	1
B	Storage Bag	1
C	Metal Pegs	4
D	Guy Rope	2
E	Instructions	1

TOOLS REQUIRED:

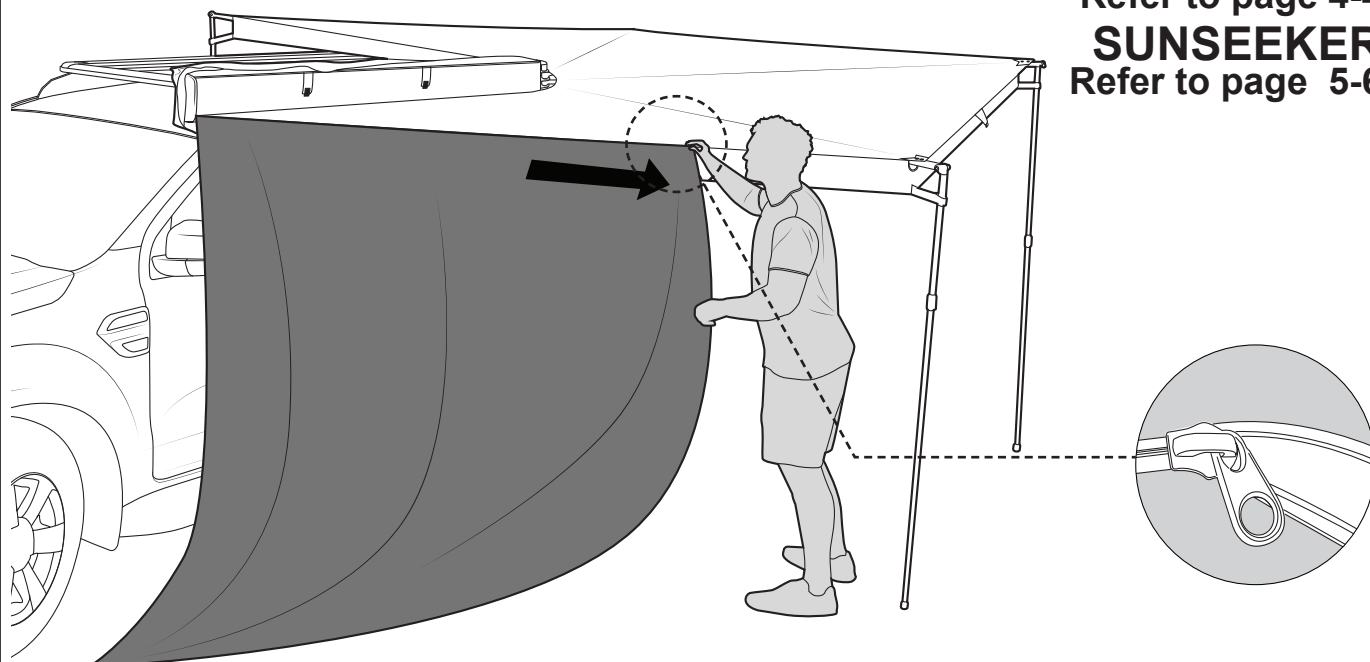
T1 -Rubber Mallet

NOTE: Up to 4 Awning Extensions can be fitted at one time. This kit is to be used in conjunction with Rhino-Rack Batwing or Sunseeker Awnings.

Note for Dealers and Fitters

It is your responsibility to ensure this fitting instruction is given to the end user or client. It is your responsibility to ensure these fitting instructions are given to the end user or client. These instructions remain the property of Rhino-Rack Australia Pty. Ltd. and may not be used or changed for any other purpose than intended.

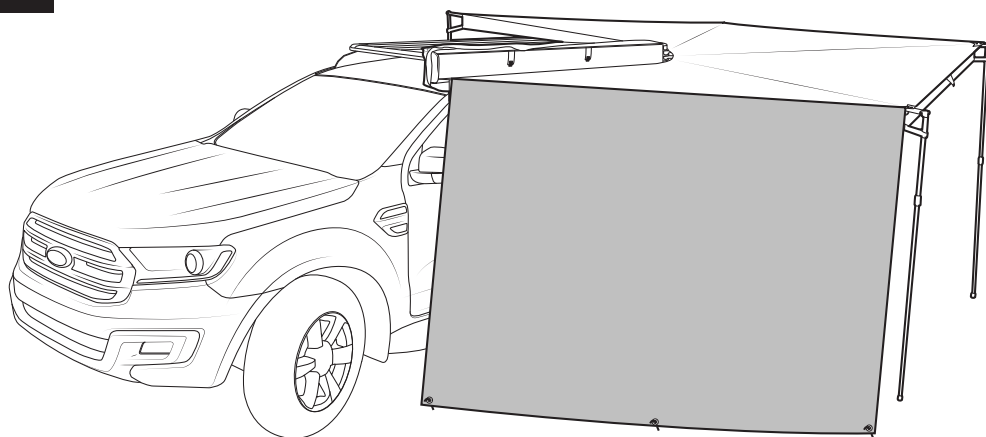
1



BATWING
Refer to page 4-4
SUNSEEKER
Refer to page 5-6

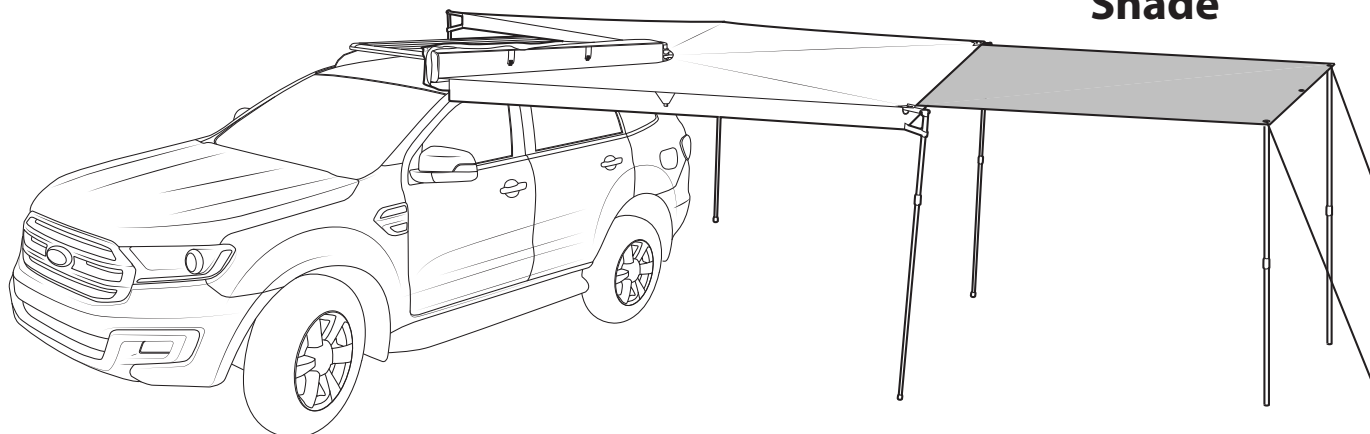
For Rhino-Rack Batwing Awning 33100

2



Wind Break

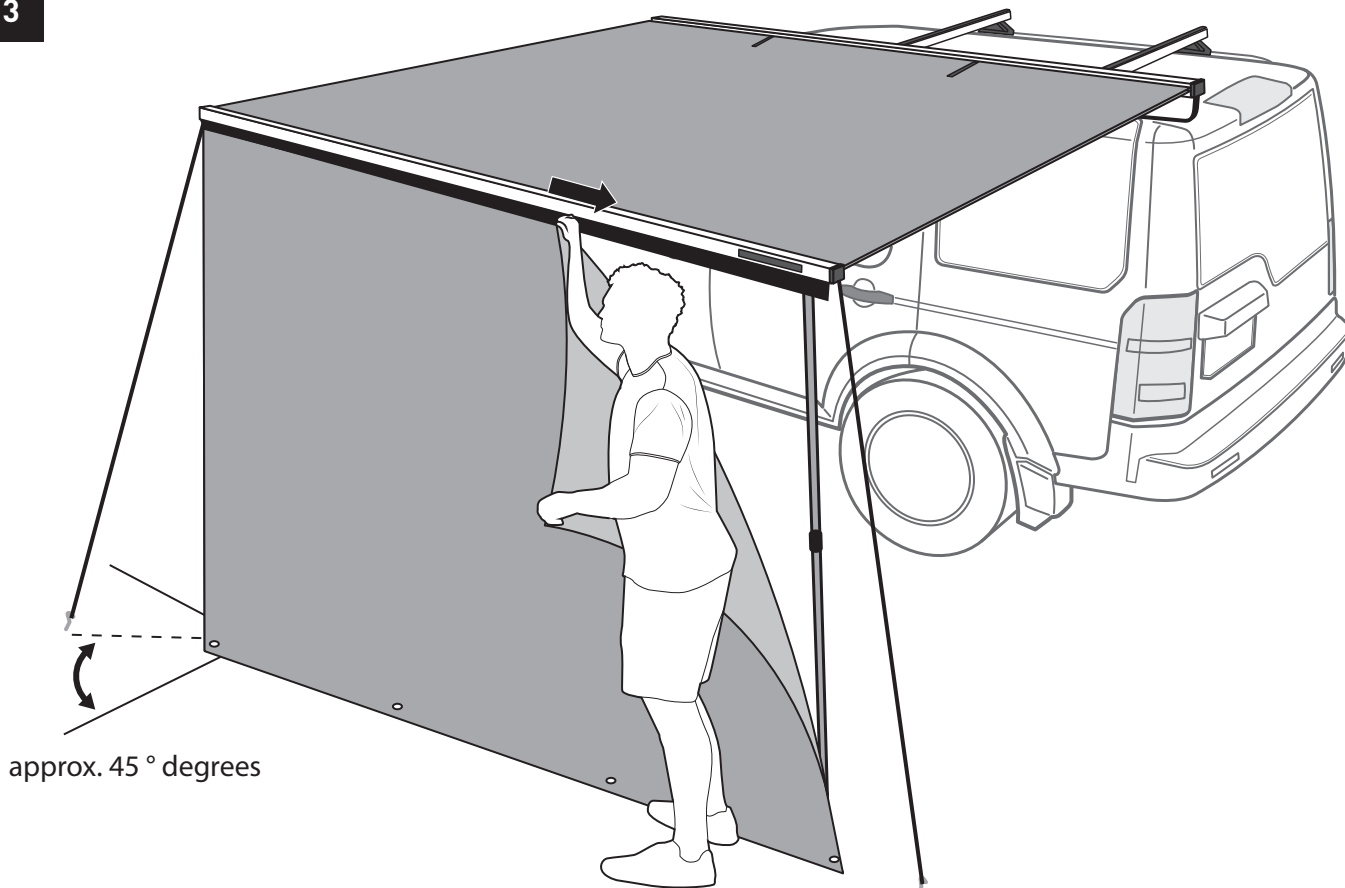
Option A
Can be installed to any of the 4 awning sections



Shade

Option B
Can be installed to any of the 4 awning sections

3

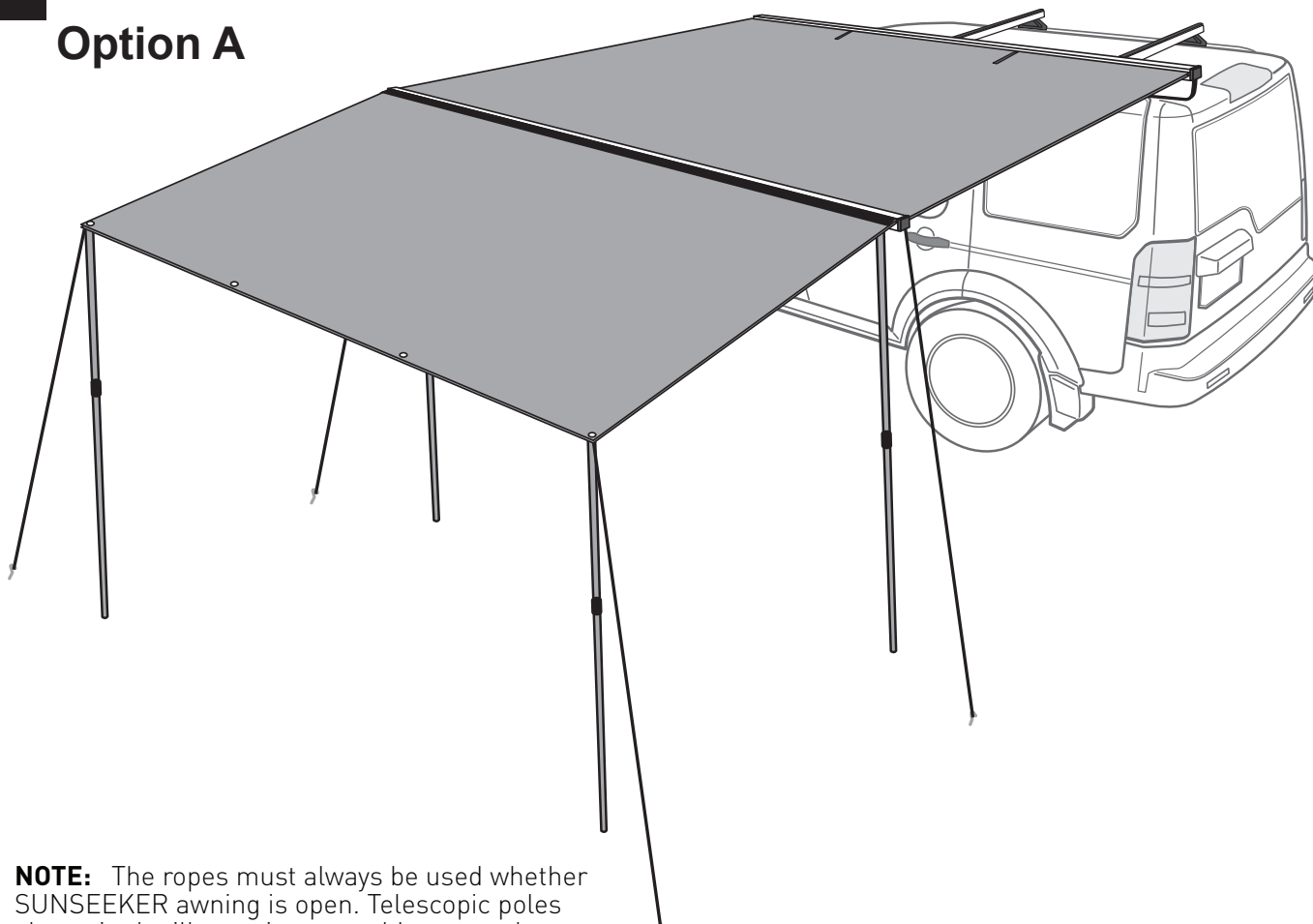


approx. 45° degrees

For Rhino-Rack Sunseeker 2.5m Awning 32133

4

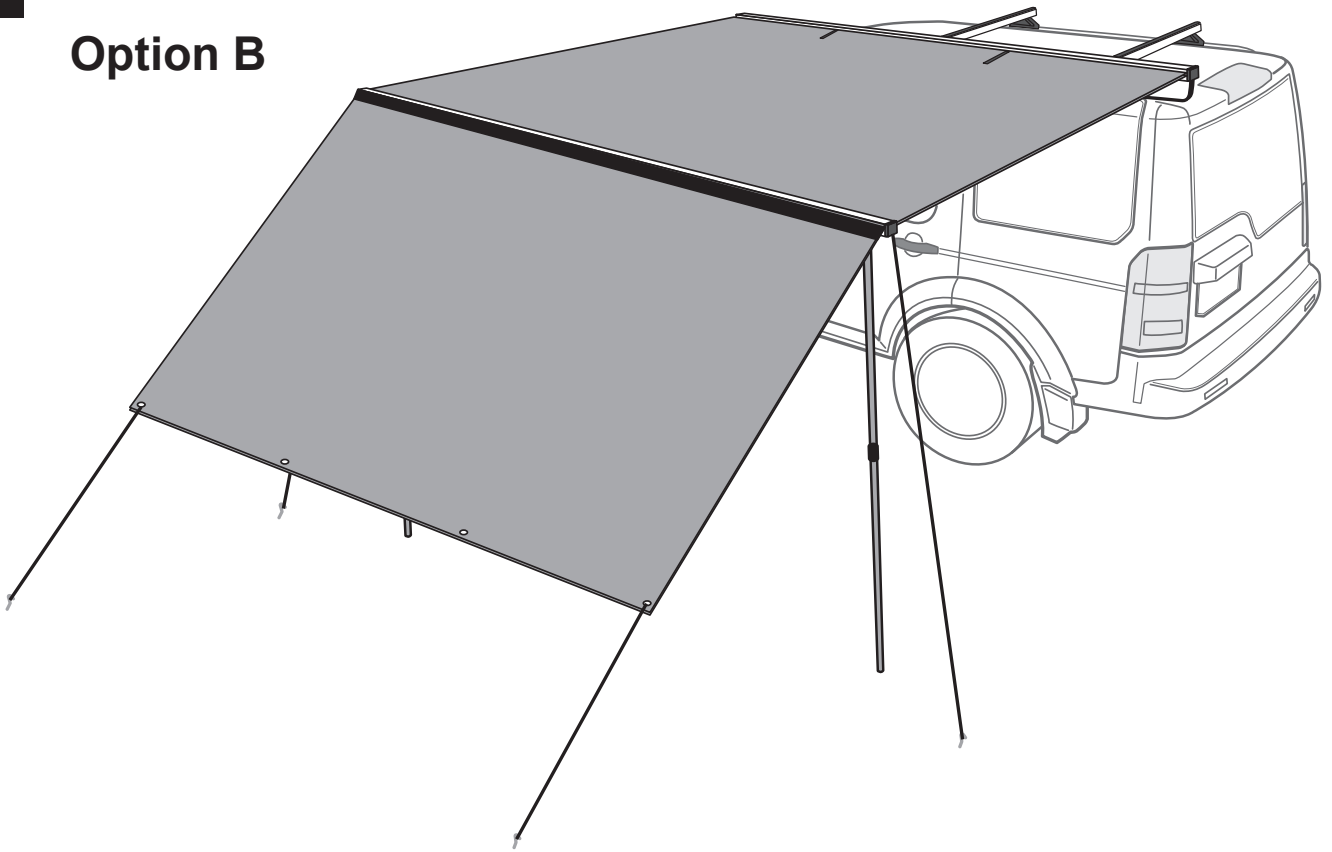
Option A



NOTE: The ropes must always be used whether SUNSEEKER awning is open. Telescopic poles shown in the illustration are sold separately.

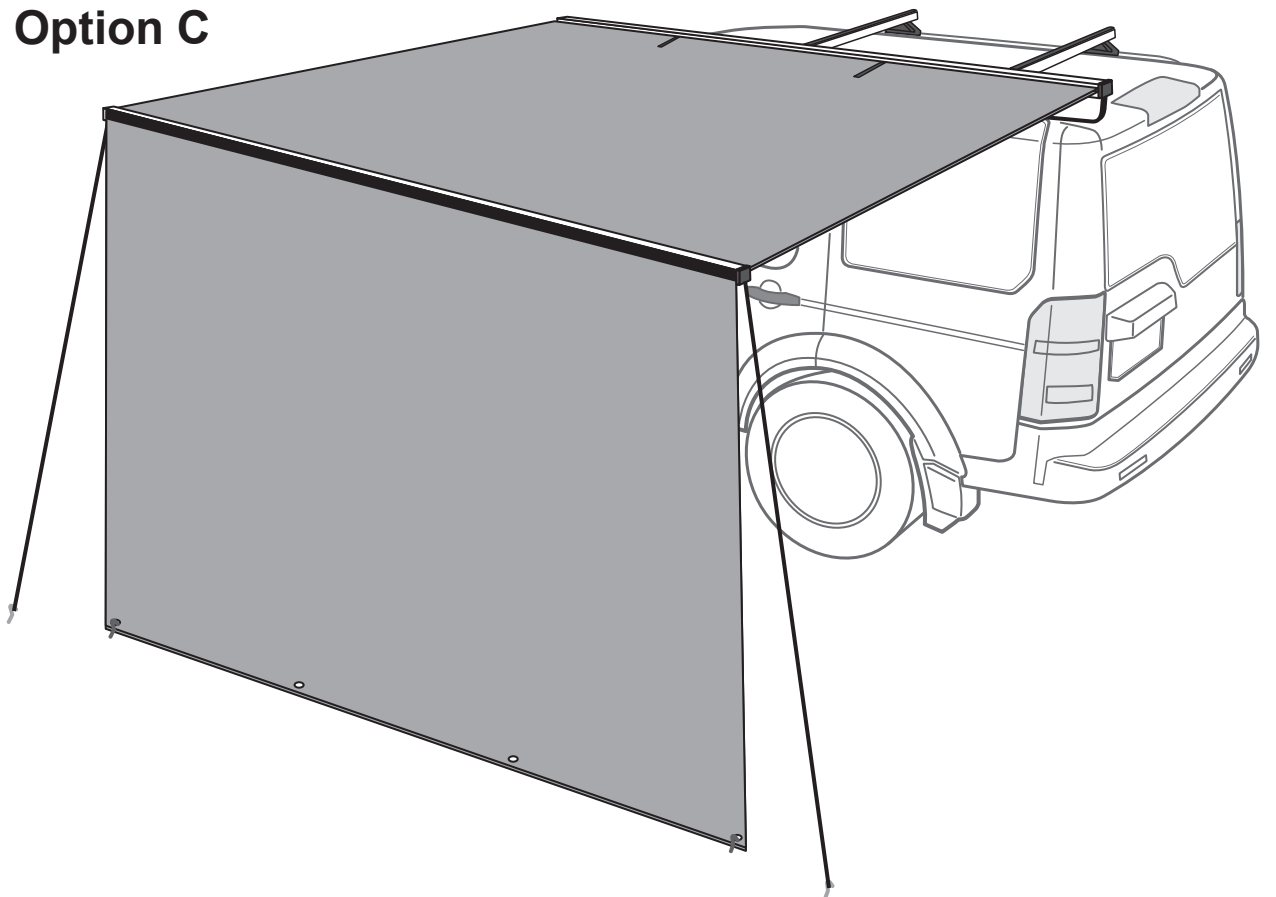
5

Option B



6

Option C



NOTES



RHINO-RACK®

MAKE SPACE FOR ADVENTURE

RHINORACK.COM

Rhino-Rack AUSTRALIA

22A Hanson Pl,
Eastern Creek, NSW, 2766

Rhino-Rack USA

19822 E 22nd Ave,
Aurora, CO, 80011